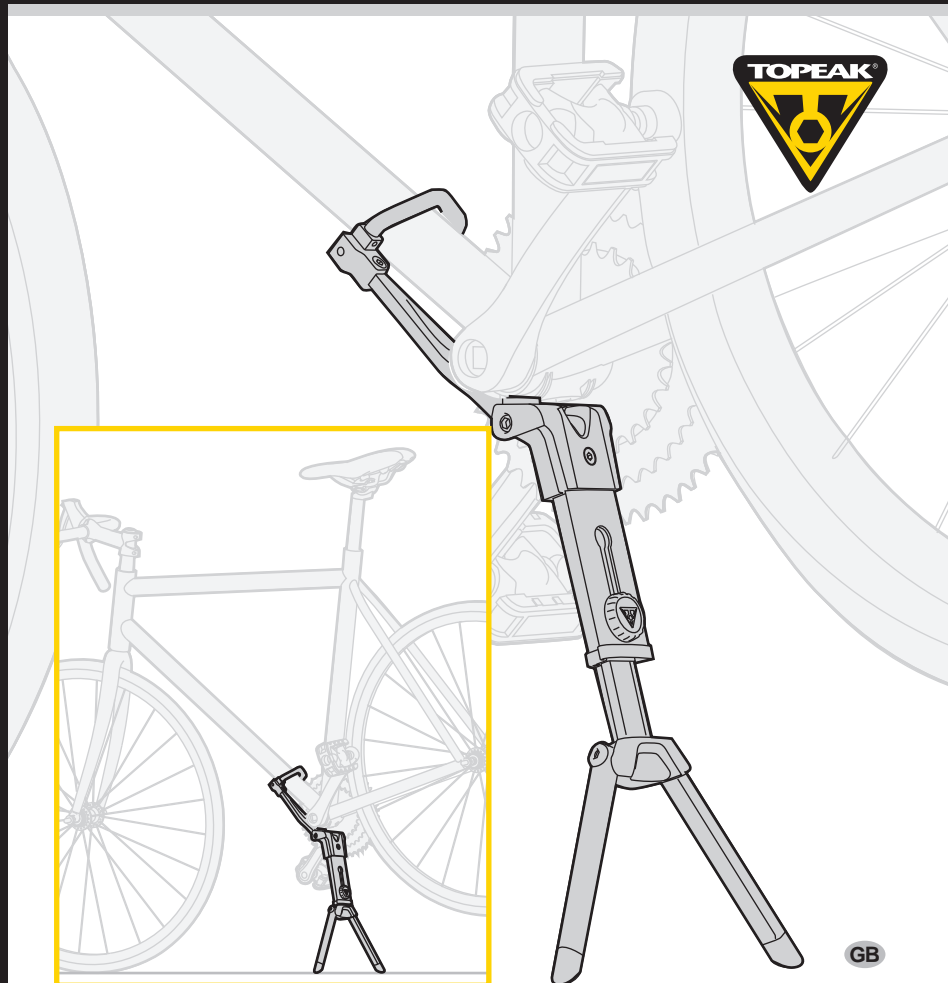
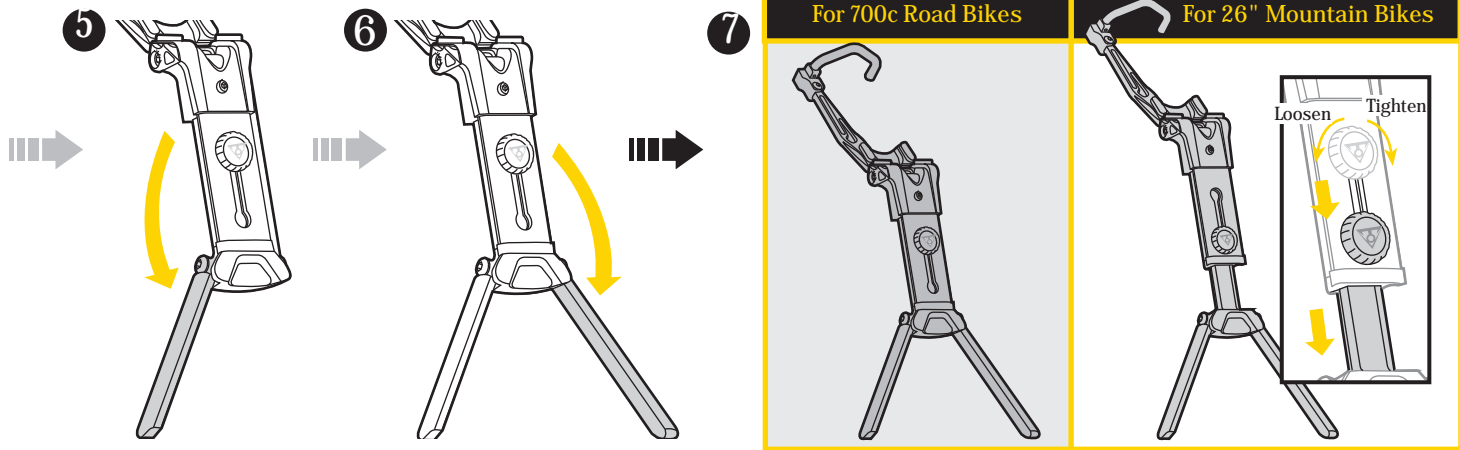
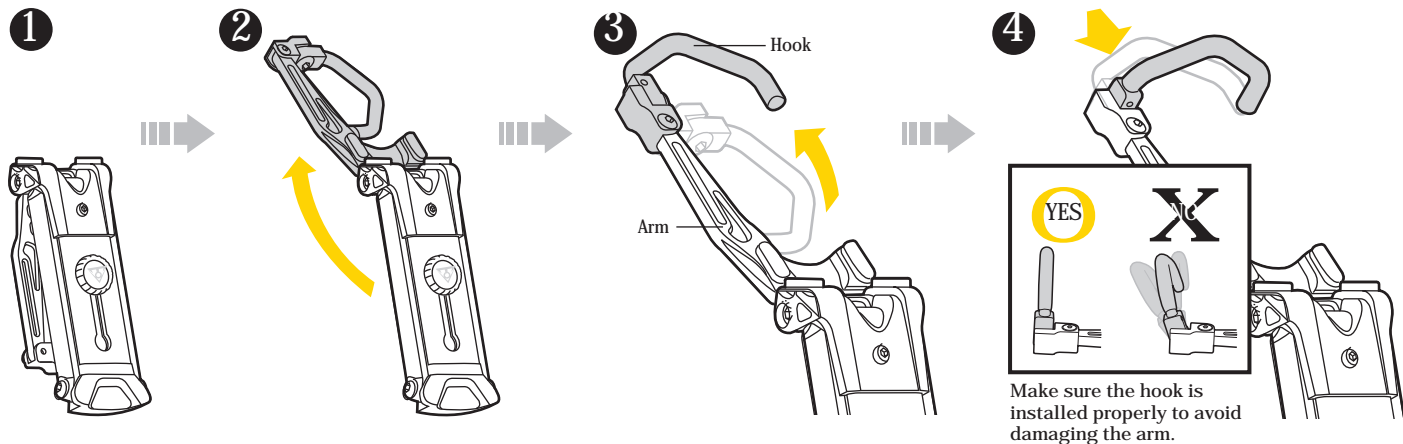


FlashStand



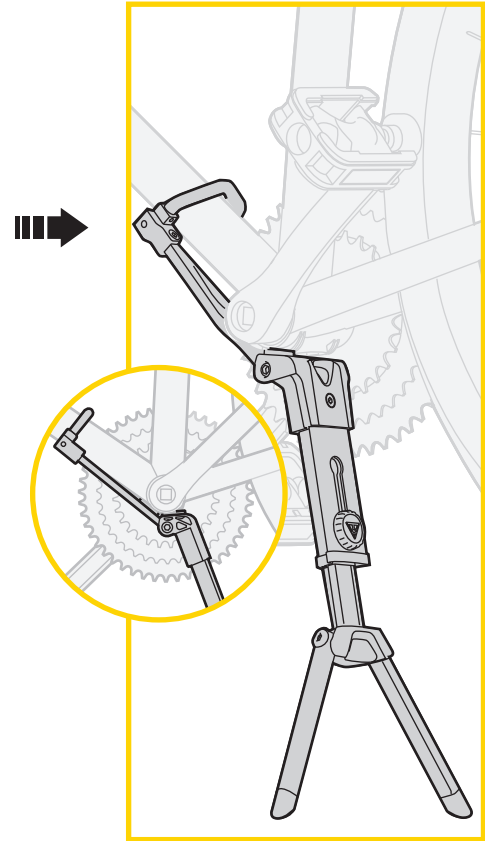
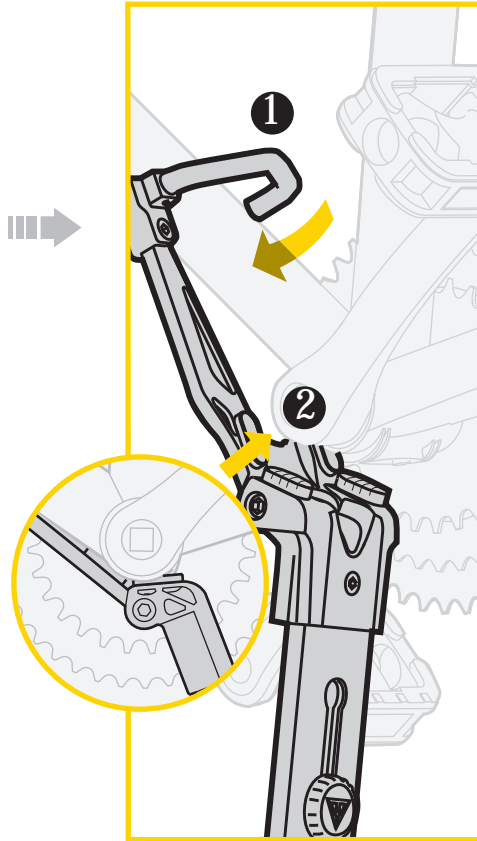
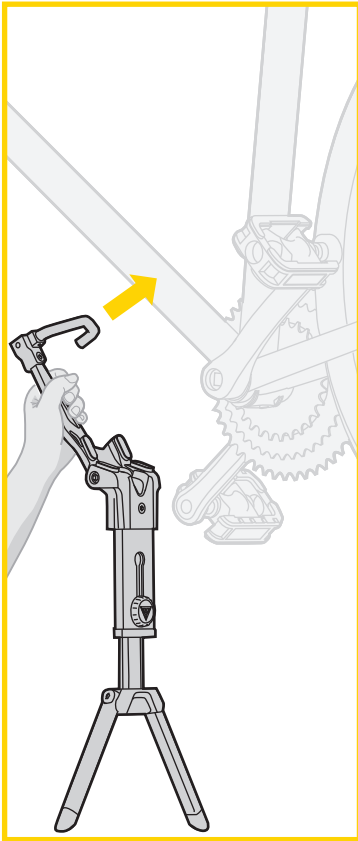
ASSEMBLY

U
S
E
R
''
S
G
U
I
D
E



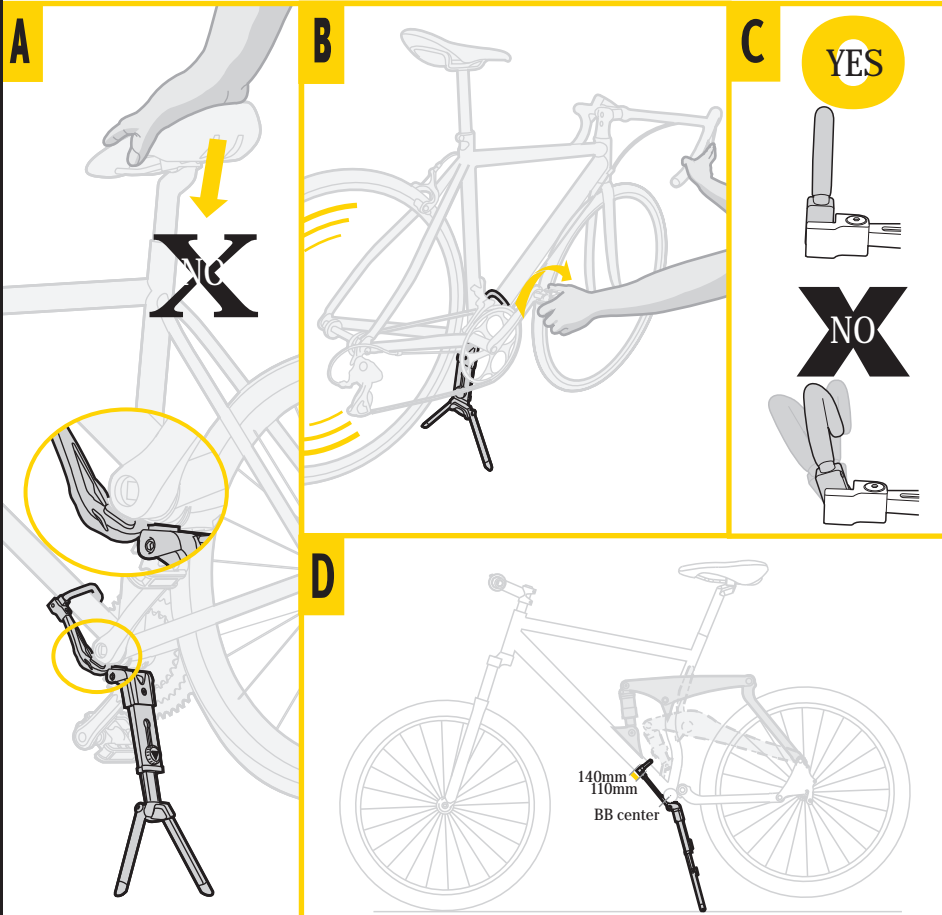
WARNING

Maximum loading weight limitation:
Bike's weight should not exceed 14 kgs (30.8 lbs).



WARNING

U
S
E
R
''
S
G
U
I
D
E



Topeak FlashStand is designed for supporting and easily maintaining your bike. Please read all instructions and warnings carefully before using it.

WARNING

- A** Never put weight on the bike when it is installed on the FlashStand. Doing so will damage the arm.
 - B** Never spin the rear wheel at high revolutions or apply your rear brake to a fast spinning wheel when your bike is installed on the FlashStand. The forces generated by the spinning wheel or a fast spinning wheel with sudden brake application will damage the FlashStand. For added stability, it is recommended to hold the handlebar with one hand when rotating the pedals.
 - C** Make sure the hook is installed properly to avoid damaging the arm.
 - D** The FlashStand is not designed to be used on any bikes with obstructions on the downtube at 110mm to 140mm from the bottom bracket center, ie, shock mounts, water bottle mounts/cages, etc. Additionally, it was not designed for bikes using Shimano Nexave series shifters, or mountain bikes with tires larger than 26" x 2.25".
- Tighten bolts on FlashStand if they become loose. Please do not over tighten to the point that the FlashStand is difficult to unfold.
- Maximum loading weight limitation:
Bike's weight should not exceed 14 kgs (30.8 lbs).
- Not recommended for use on grass, loose dirt, gravel or uneven surfaces.

LIMITED WARRANTY

2-year Warranty: All mechanical components against manufacturer defects only.

Warranty Claim Requirements

To obtain warranty service, you must have your original sales receipt. Items returned without a sales receipt will assume that the warranty begins on the date of manufacture. All warranties will be void if the FlashStand is damaged due to user abuse, overload, system alteration, modification, or used in any way not intended as described in this user's guide.

* The specifications and design are subject to change without notice.

Topeak products are available only from professional bicycle shops. Please contact your nearest Topeak authorized bicycle dealer for any questions. For customers in the USA, call: 1-800-250-3068 Website: www.topeak.com