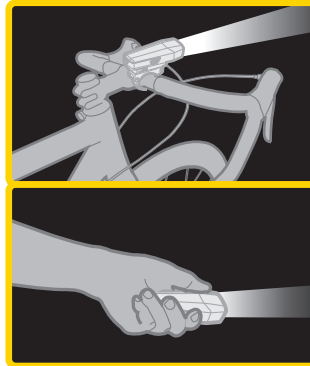
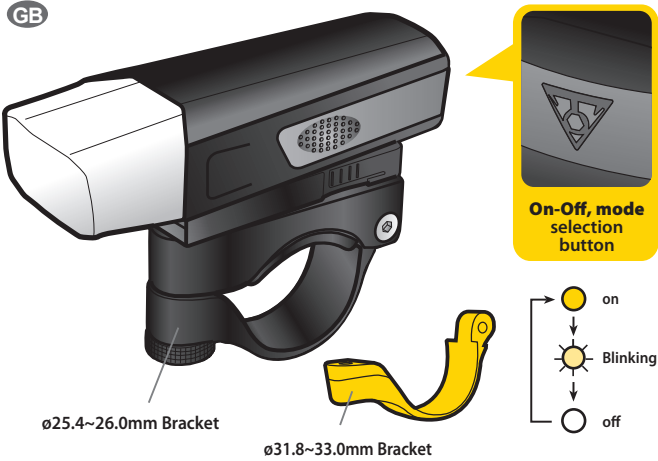




# WhiteLite™ HP Beamer

## User's Guide

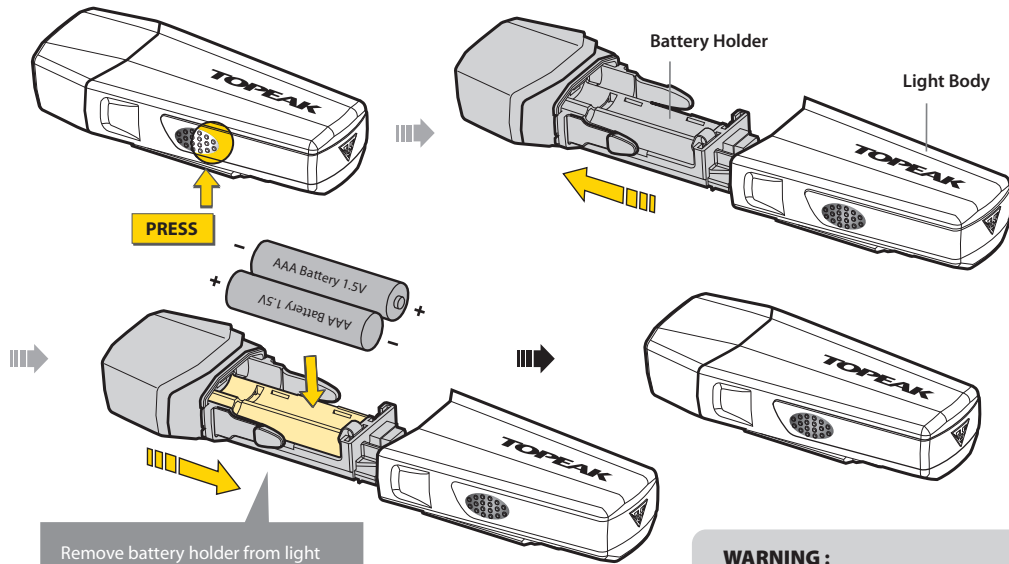


### LOW BATTERY INDICATOR :

Burn times are based on use with a 1.5V Alkaline battery. Burn times may vary with use of different manufacturer's batteries. If light is flickering in Constant Mode, the battery has drained, replace with a new battery.

### BATTERY SETUP

AAA Battery 1.5V (2 pcs)

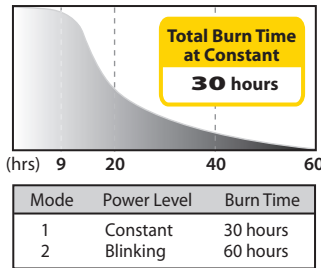


Remove battery holder from light body and insert new battery. Make sure positive and negative ends of battery is installed correctly.

### WARNING :

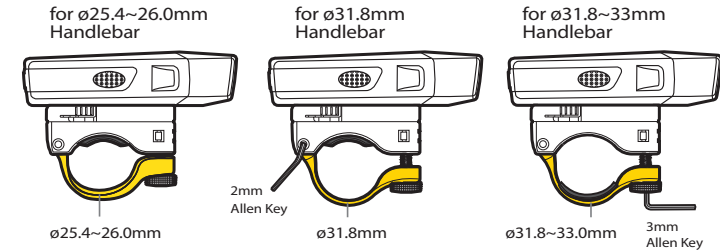
During long periods of non-use, remove batteries to prevent damage caused by leaking battery cells.

### BURN TIME

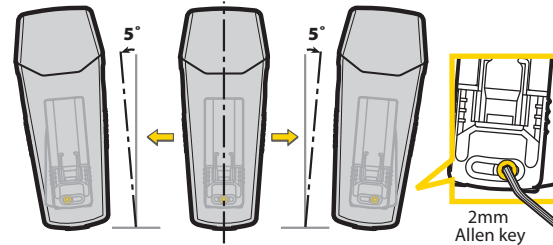


**Note :** Burn times are based on use with 1.5V Alkaline batteries.

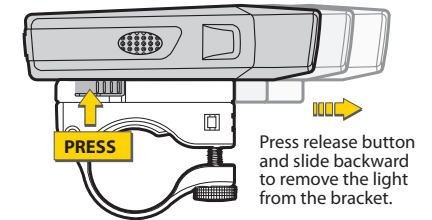
### INSTALLATION



### ANGLE TOE-IN ADJUSTMENT



### LIGHT REMOVAL



### SAFETY NOTES

- WhiteLite HP Beamer is water-resistant. This allows its use in rain, however, WhiteLite HP Beamer should never be purposely submerged in water.
- If the light body or parts become dirty or have been exposed to salt water, gently clean with soft towel using mild soap and water only. Lubricate and maintain the light body with silicon based grease on the O-rings. Never use harsh chemicals to clean the lighting system as damage to the housing and lens will occur.
- Safely and properly dispose of the old batteries according to your local regulations.
- Never place this lighting system within a child's reach.
- For ultimate safety, the WhiteLite HP Beamer should be used in conjunction with a specific night riding light.
- In addition to its brightness, the beam is widely diffused. In case you need to use this light on public roads, be sure to adjust the angle downward so as not to blind oncoming traffic.



### SPECIFICATIONS

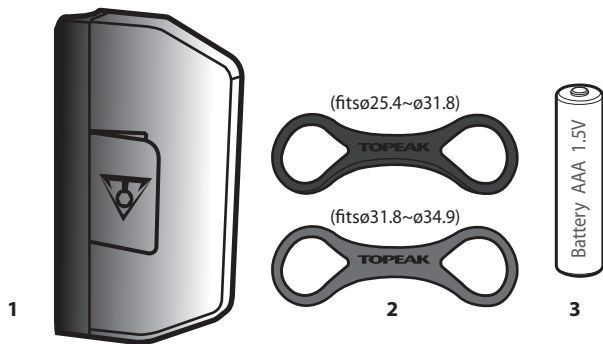
**Function:** constant and blinking  
**Bulb:** 3 super bright LED's  
**Burn Time (approx):**  
**AAA Alkaline Battery 1.5V** (2 pcs)  
 (Standard equipped)  
 Constant - 30 hours  
 Blinking - 60 hours  
**Light output :** 100 cd  
**Weight:** 29 grams (Light only)

### WARRANTY

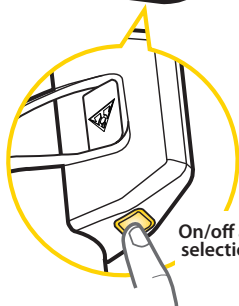
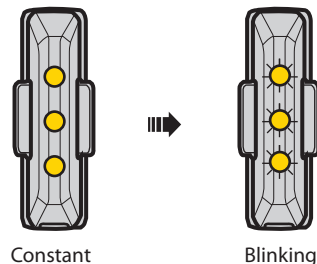
1-year Warranty: All mechanical components against manufacturer defects only. Batteries are not covered under any implied warranty.

**Warranty Claim Requirements**  
 To obtain warranty service, you must have your original sales receipt. Items returned without a sales receipt will assume that the warranty begins on the date of manufacture. All warranties will be void if the product is damaged due to user crash, abuse, system alteration, modification, or used in any way not intended as described in this manual. \* The specifications and design are subject to change without notice.

**Please contact your Topeak dealer with any questions.**  
**For USA customer service call : 1-800-250-3068**  
[www.topeak.com](http://www.topeak.com)



### MODE

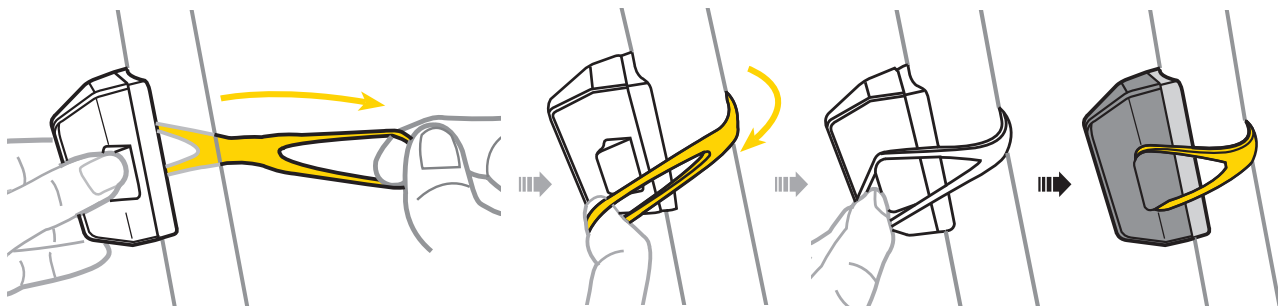


On/off and Mode selection button

1. Light Body
2. Rubber Strap x 2 pcs (for seatpost / seatstay)
3. Battery included (1.5V AAA x 1 pcs)

### MOUNTING ON SEATPOST/SEATSTAY

(Seatpost O/D fits  $\varnothing 25.4 \sim \varnothing 34.9$  mm)



### SPARE PARTS

Rubber Strap



Art No. TMS-SP98



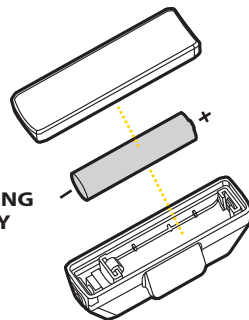
### WARNING

Although light body is water-resistant (under normal weather conditions of rain, etc.) never intentionally submerge it under water.

### SPECIFICATIONS

**Function :** Constant / Blinking  
**Lamp :** 3 Super Bright Red LED's  
**Battery :** 1.5V AAA x 1  
**Burn Time :** 40 hrs / 80 hrs  
**Luminous :** 20 cd  
**Weight :** 32 grams

### CHANGING BATTERY



### WARRANTY

1-year Warranty: All mechanical components against manufacturer defects only. Batteries are not covered under any implied warranty.

#### Warranty Claim Requirements

To obtain warranty service, you must have your original sales receipt. Items returned without a sales receipt will assume that the warranty begins on the date of manufacture. All warranties will be void if the product is damaged due to user crash, abuse, system alteration, modification, or used in any way not intended as described in this manual.

\* The specifications and design are subject to change without notice.

Please contact your Topeak dealer with any questions.  
 For USA customer service call : 1-800-250-3068  
[www.topeak.com](http://www.topeak.com)

