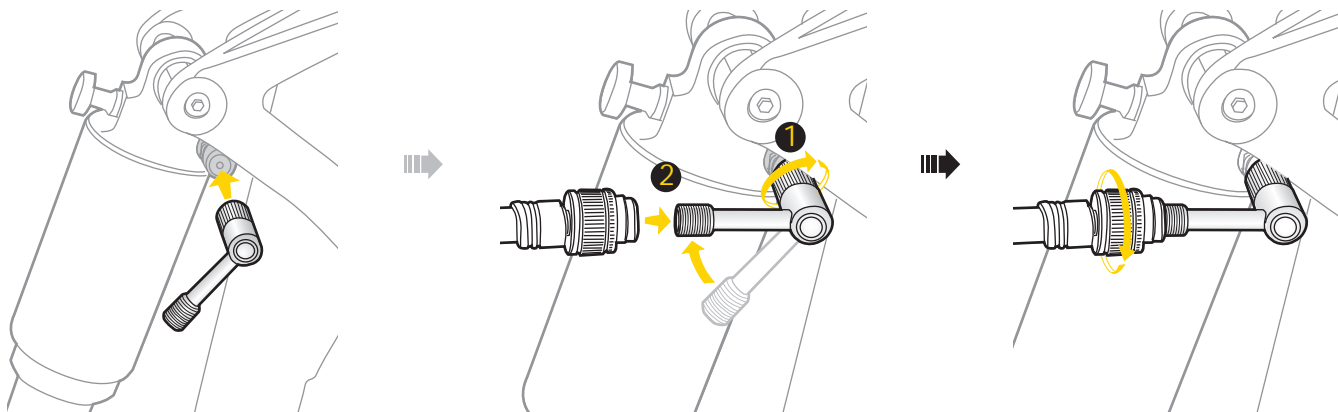
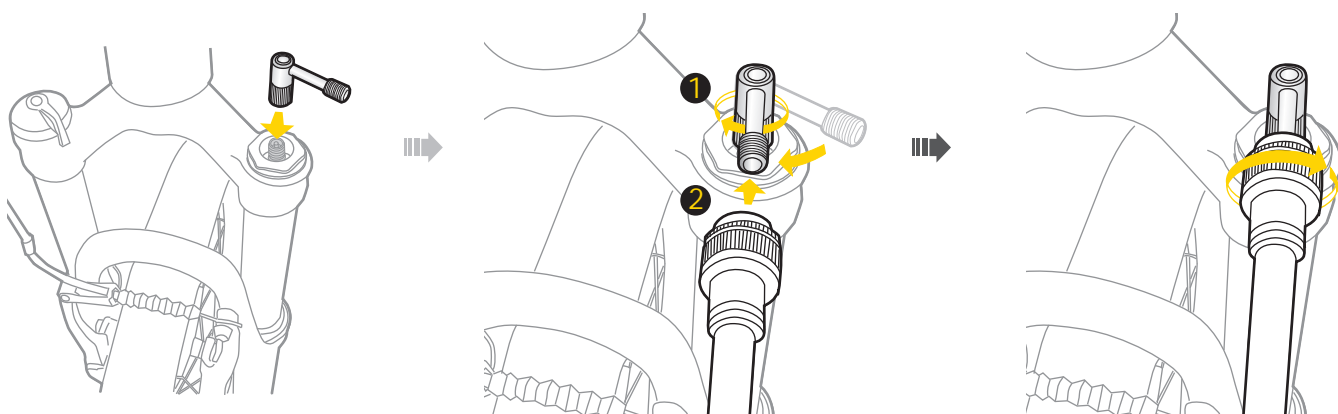




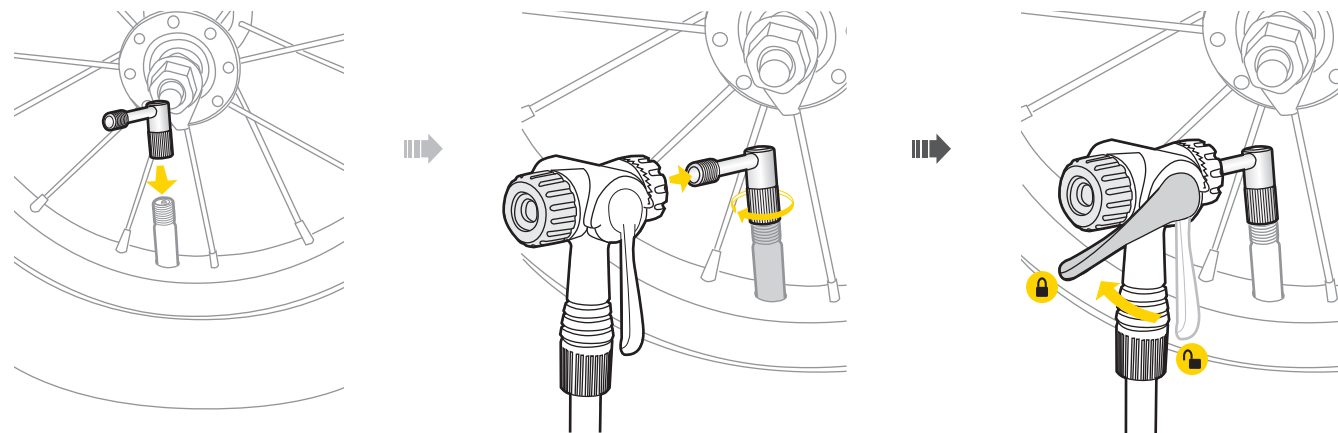
## SITUATION A) SCHRADER VALVE IS BLOCKED ON REAR SHOCK



## SITUATION B) CONNECTING SCHRADER VALVE TO SHOCK PUMP



## SITUATION C) SPACE LIMITATION FOR PUMP HEAD ON 12" or 14" WHEEL



### NOTE

1. When inflating shock or tube, the pressure reading will rise quickly to the pressure inside the shock or tube. Pressure will need to be increased until the check valve inside the Pressure-Rite device is opened. You will notice a slight decrease in pressure when the check valve opens. When this occurs, your gauge will indicate the correct pressure reading. Pump to desired pressure.
2. After desired inflation pressure is reached, disconnect pump head from the Pressure-Rite device first before disconnecting the Pressure-Rite device from the shock or tube. If your pump has a pressure release button, activate it to release pressure before disconnecting pump head from the Pressure-Rite device.
3. Do not leave Pressure-Rite connected if it's not being used to inflate.

### WARRANTY

2-year Warranty: All mechanical components against manufacturer defects only.

#### Warranty Claim Requirements

To obtain warranty service, you must have your original sales receipt. Items returned without a sales receipt will assume that the warranty begins on the date of manufacture. All warranties will be void if the product is damaged due to user crash, abuse, system alteration, modification, or used in any way not intended as described in this manual.

\* The specifications and design are subject to change without notice.

Please contact your Topeak dealer with any questions.  
For USA customer service, call: 1-800-250-3068  
Website: [www.topeak.com](http://www.topeak.com)