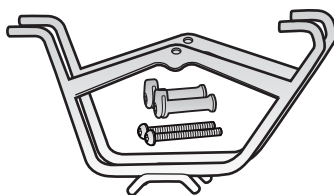


Dual Side Frame



Art no.	E-Type	Art no.	V-Type	Dual Side Frame
TA2101E		TA2101V		Art no. TC1007
TA2401E	+	TA2401V	+	

### INSTALL RX BEAM RACK ON SEAT POST



a. 0.6mm



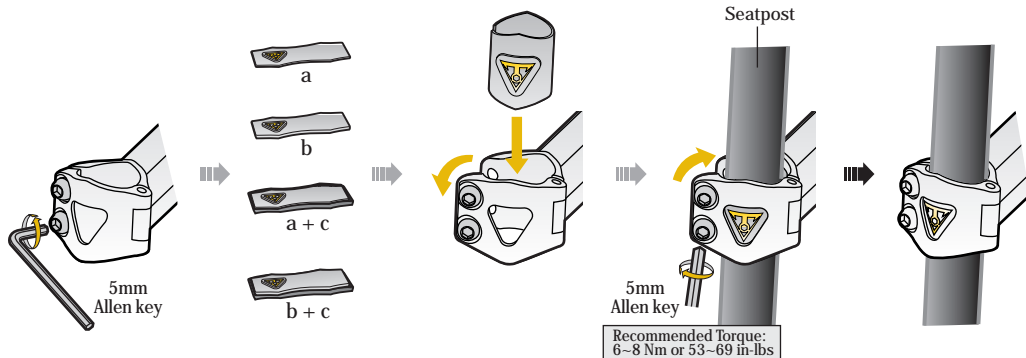
b. 1.2mm



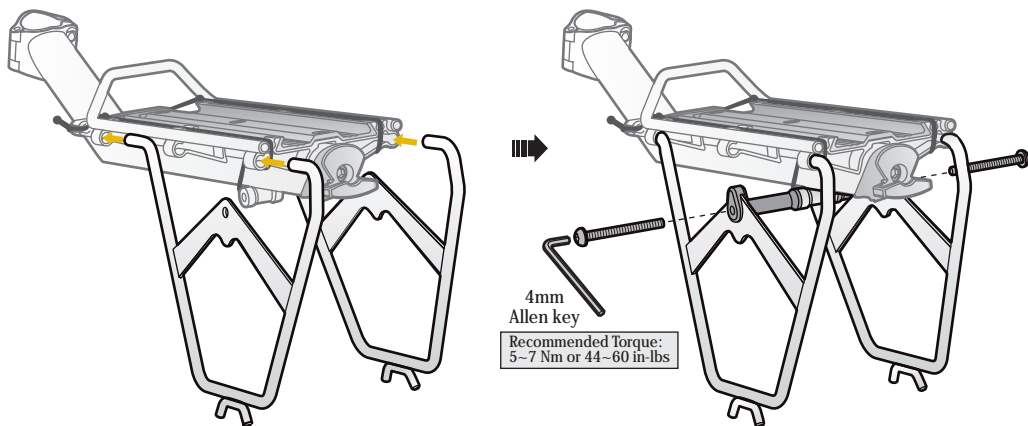
c. 2.0mm

#### RECOMMENDED RUBBER PAD COMBINATION

<b>a</b>	for seat post O/D $\varnothing 31.6 \sim 31.8\text{mm}$	<b>b</b>	for seat post O/D $\varnothing 30.6 \sim 30.9\text{mm}$
<b>a + c</b>	for set post O/D $\varnothing 26.4 \sim 27.2\text{mm}$	<b>b + c</b>	for seat post O/D $\varnothing 25.4 \sim 26.0\text{mm}$



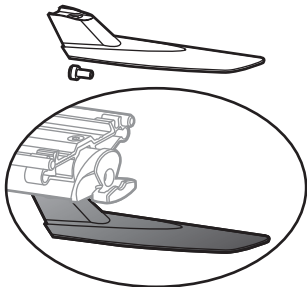
## INSTALL DUAL SIDE FRAME ON RX BEAM RACK



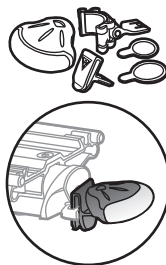
## OPTIONAL ACCESSORIES

(sold separately)

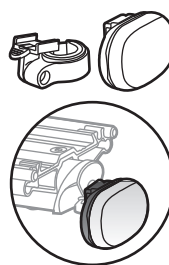
**RX Defender**  
Art no. TC9616



**RedLite**  
Art no. TMS004



**Tail Flash Light**  
Art no. TC2022



## WARNING NOTES

1. Always use Dual Side Frame when using Trunk Bag with side panniers.
2. Never exceed maximum loading capacity of 15lbs (7kgs) when using RX BeamRack.
3. Do not attempt to use RX BeamRack as a passenger seat.
4. RX BeamRack is not suitable or intended to be used with carbon fiber seatposts.

## WARRANTY

2-year Warranty: All mechanical components against manufacturer defects only.

### Warranty Claim Requirements

To obtain warranty service, you must have your original sales receipt. Items returned without a sales receipt will assume that the warranty begins on the date of manufacture. All warranties will be void if RX BeamRack and Dual Side Frame are damaged due to user abuse, system alteration, modification, or used in any way not intended as described in this operating manual.

\* The specifications and design are subject to change without notice.

Topeak products are available only from professional bicycle shops. Please contact your nearest Topeak authorized bicycle dealer for any questions. For customers in the USA, call: 1-800-250-3068 Website: [www.topeak.com](http://www.topeak.com)

Copyright © Topeak, Inc. 2010

M-TA2401-GB 1/2010