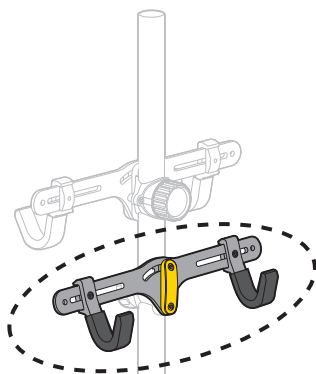
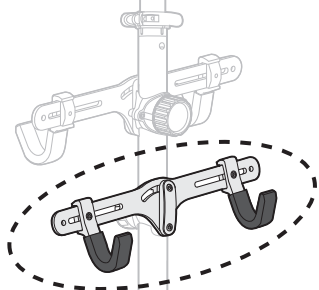


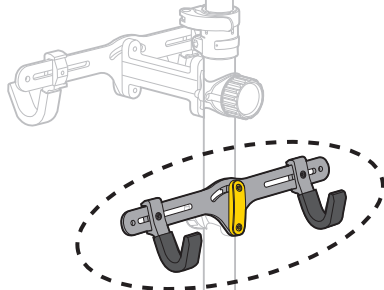
- Upper THIRD HOOK fits EXTENSION tube (ø38.1 mm) of Dual-Touch bike stand. *
Art no. TW004-sp01



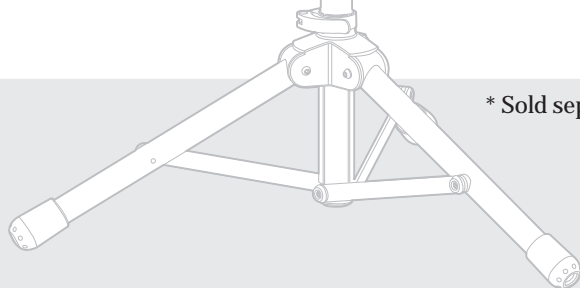
- Upper THIRD HOOK fits EXTENSION tube (ø38.1 mm) of TwoUp TuneUp bike stand. *
Art no. TW010-sp02



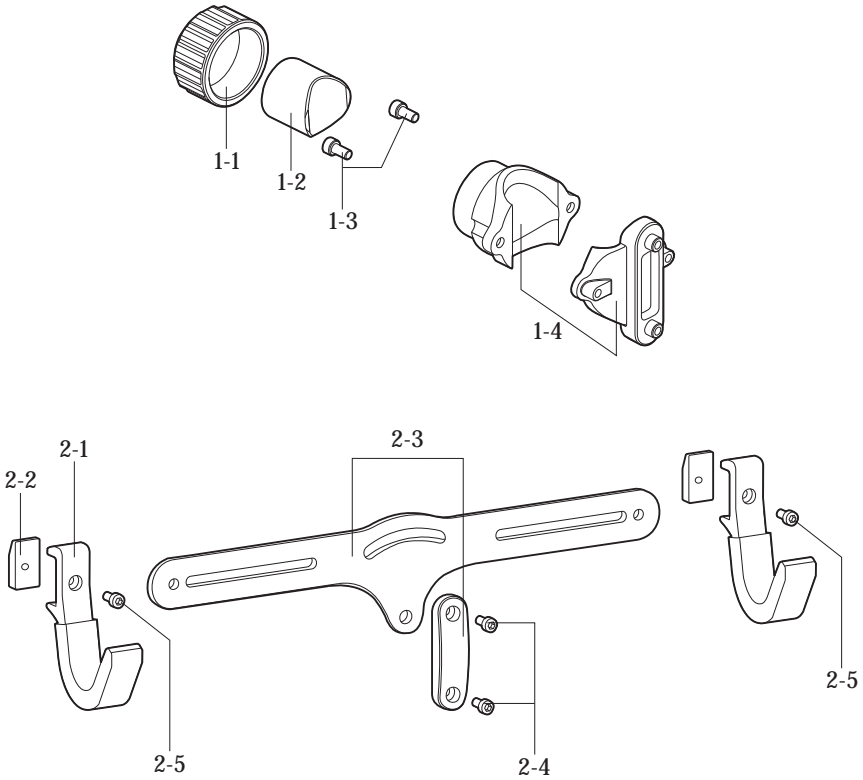
- Lower THIRD HOOK fits MAIN tube (ø44.0 mm) of Dual-Touch bike stand. *
Art no. TW004-sp02



- Lower THIRD HOOK fits MAIN tube (ø44.0 mm) of TwoUp TuneUp bike stand. *
Art no. TW010-sp03



* Sold separately



DETAILED PARTS DESCRIPTION

1. The Third Hook Unit Adaptor

1-1 Adjusting Knob

1-2 Wedge Spacer

1-3 Mounting Bolt

M6 x 1.0mm x 15L

1-4 Hook Unit Mounting Device
(ϕ 38.1 mm/ ϕ 44.0 mm)

2. The Third Hook Unit

2-1 Hook

2-2 Hook Locking Nut

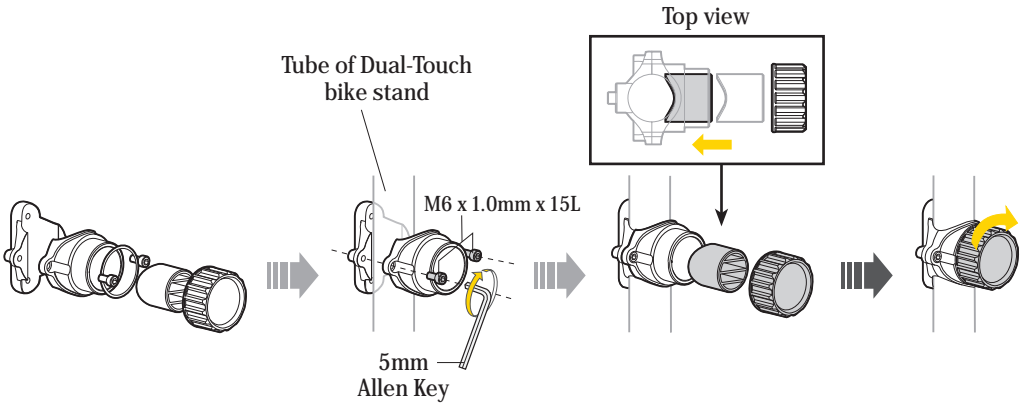
2-3 Balance Adjusting Unit

2-4 M6 x 1.0mm x 15L Bolt

2-5 M6 x 1.0mm x 20L Bolt

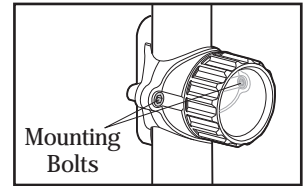
INSTALLATION

ASSEMBLING THE THIRD HOOK ADAPTOR TO TUBE

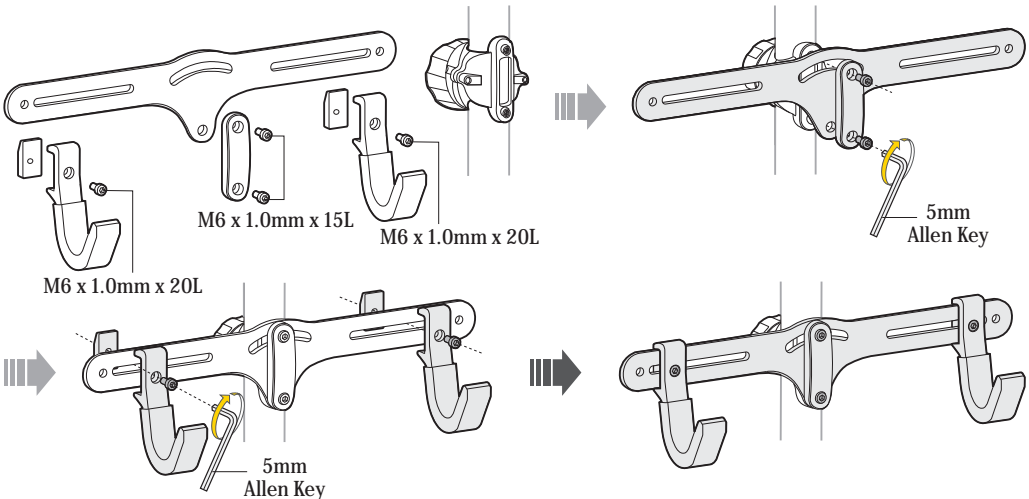


⚠ IMPORTANT

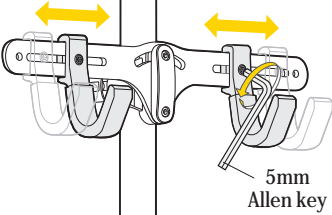
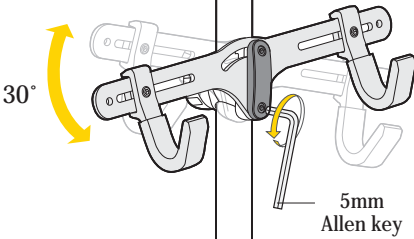
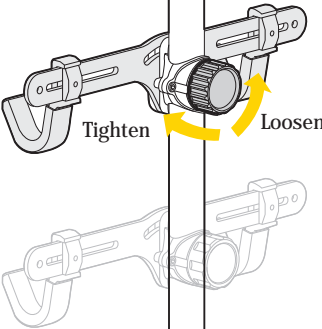
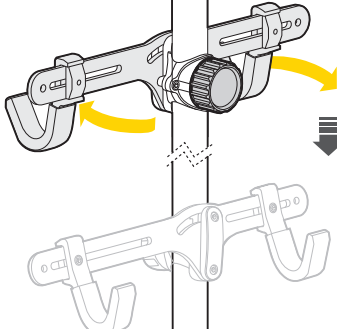
1. The adjusting knob should not be overtightened. If unable to loosen adjusting knob, loosen mounting bolts first, then loosen adjusting knob.
2. Maximum weight capacity per Third Hook is 18 Kilograms (39.7 lbs).



ASSEMBLING THE THIRD HOOK UNIT TO ITS ADAPTOR



ADJUSTING THE THIRD HOOK UNIT

TO ADJUST HOOK POSITION	TO ADJUST HOOK ANGLE
 <p>5mm Allen key</p>	 <p>30°</p> <p>5mm Allen key</p>
TO ADJUST HEIGHT	360° ROTATION
 <p>Tighten</p> <p>Loosen</p>	

! CAUTION

1. Maximum weight capacity per Hook Unit is 18 kilograms (39.7 lbs) and maximum weight capacity per stand is 72 kilograms (158.7 lbs).
2. Read the manufacturer's instructions prior to installation. No more than two additional Third Hook bicycle holders may be added for a total of no more than four hooks per stand. No more than one bicycle may be hung on each hook. The additional hooks must be installed on the opposite side of the original hooks.

WARRANTY

2-year Warranty: All mechanical components against manufacturer defects only.

* The specifications and design are subject to change without notice.

Warranty Claim Requirements

To obtain warranty service, you must have your original sales receipt. Items returned without a sales receipt will assume that the warranty begins on the date of manufacture. All warranties will be void if the product is damaged due to user crash, abuse, system alteration, modification, or used in any way not intended as described in this operating manual.

Topeak products are available only from professional bicycle shops.
Please contact your nearest Topeak authorized bicycle dealer for any questions.
For customers in the USA, call: 1-800-250-3068 Website: www.topeak.com

Copyright © Topeak, Inc. 2007

M-TW004-010-SP-GB 4/07