

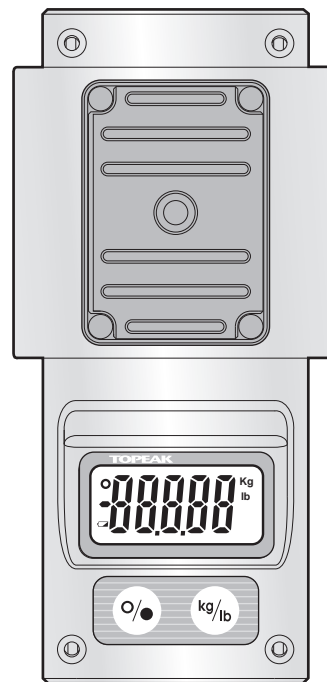


# WEIGHT SCALE

digital display for PrepStand

User's Guide

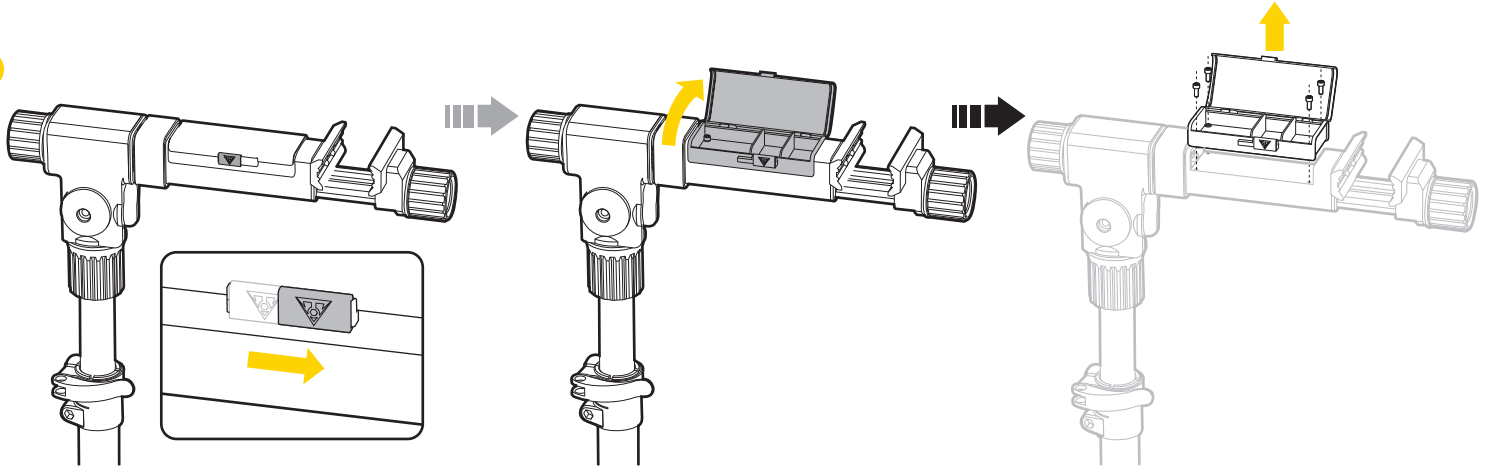
GB



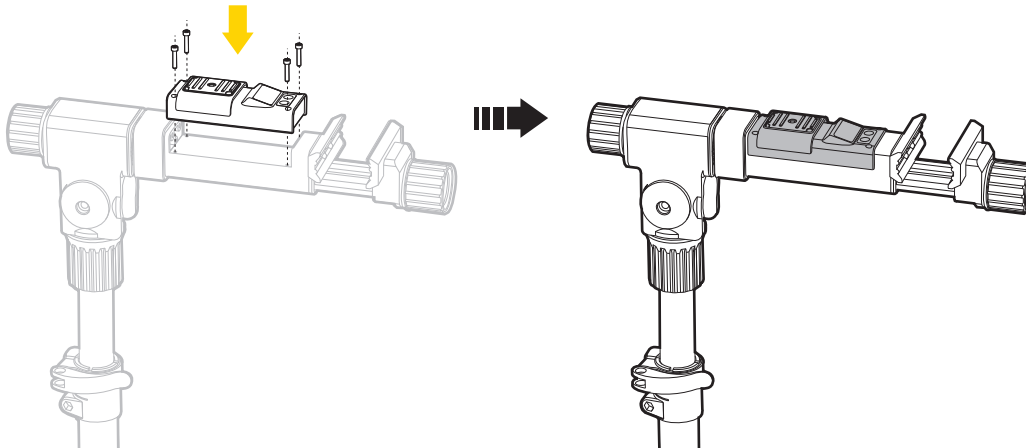
Art no. TWSC01

# INSTALLATION OF WEIGHT SCALE ON PREPSTAND

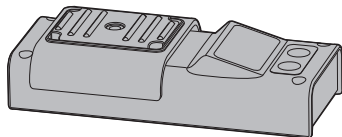
1



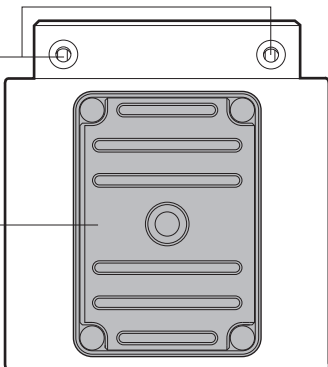
2



Size: (LxWxH)  
5.4" x 2.5" x 1"  
Weight: 240 grams



Screw Holes  
(Screws -  
M4 x 0.7mm x L20  
Supplied)



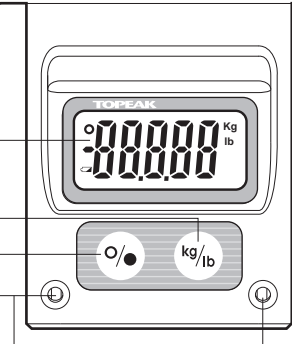
Scale

Display screen

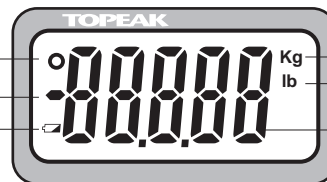
Unit selection

On/Off/Reset

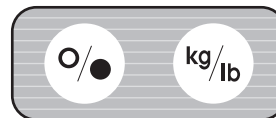
Screw Holes  
(Screws -  
M4 x 0.7mm x L20  
Supplied)



Ready to weigh/  
weight completed  
indicator  
Negative indicator  
Low battery indicator



Weight units  
Digital display  
screen



**BE AWARE**  
Measured data from the Topeak  
weight scale is for personal  
reference only and cannot be  
used for other purposes.


## OPERATION:

- On Press
- Off Press and hold for 3 seconds.
- Unit Selection Press kg ↔ lb
- Reset Press when unit is on.
- Auto-off Display screen will shut off automatically after 3 minutes of inactivity.

## NOTE:

1. Maximum weight capacity is 25 kilograms (55lbs), accuracy tolerance:  $\pm 20$  grams.
2. The Weight Scale is water resistant, however, care should be taken when used in wet environments. The Weight Scale should never be submerged in water.
3. When cleaning the Weight Scale, use only a damp cloth to remove excess dirt. Never use compressed air to clean the Weight Scale.

## MEASURE PROCEDURE

1. Press on button  to turn on the weight scale.


The screen will display:



2. Wait for a few seconds until ready to weigh indicator appears.

The screen will display:



3. Press unit selection button  to choose your desired weight unit.



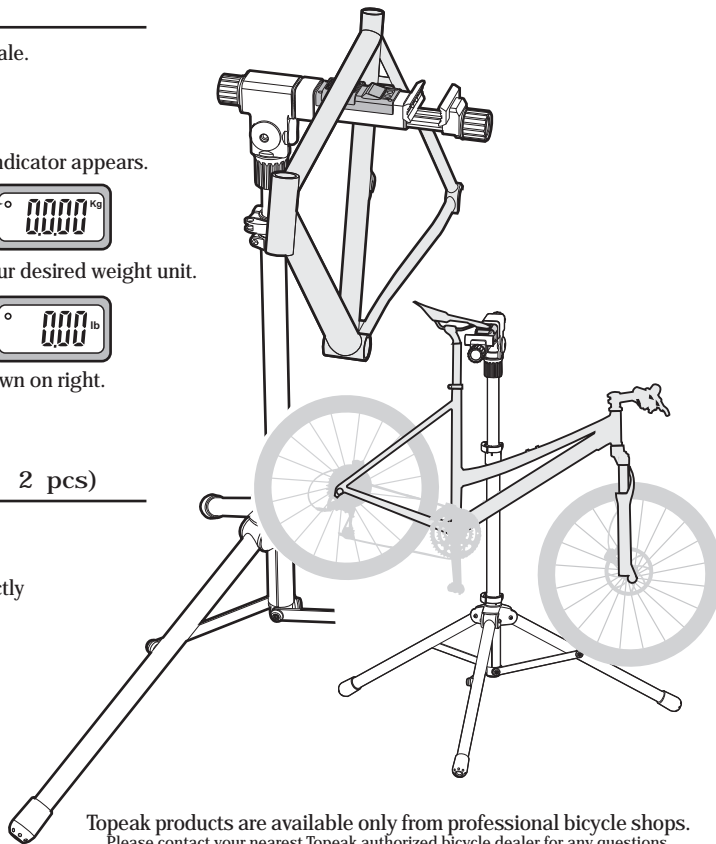
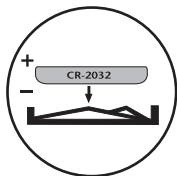
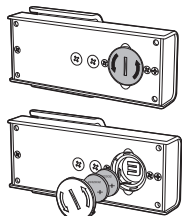
4. Place item to be weighed on the scale as shown on right.

5. Read indicated weight.

## CHANGING BATTERIES (CR2032 x 2 pcs)

1. Open battery cover.

2. Replace batteries. Be sure positive and negative sides of batteries are inserted correctly when replacing.




Topeak products are available only from professional bicycle shops.  
Please contact your nearest Topeak authorized bicycle dealer for any questions.  
For customers in the USA, call: 1-800-250-3068 Website: [www.topeak.com](http://www.topeak.com)

Copyright © Topeak, Inc. Printed in Taiwan / 2005

M-TWSC01-GB 7/05

## IMPORTANT

1. In order to weigh accurately, the supporting legs should be on flat ground and the weight scale facing up in a vertical position. Make sure the item being weighed is not touching the Prepstand.
2. Accuracy tolerance of this weight scale is  $\pm 20$  grams. When the weight scale is not facing up in a vertical position, the error tolerance will increase. Reposition the scale to face up in a vertical position and reset the unit by pressing the reset button .
3. Measured data from the Topeak weight scale is for personal reference only and cannot be used for other purposes.

## LIMITED WARRANTY

1-year Warranty: All mechanical components against manufacturer defects only. Batteries are not covered under any implied warranty.

### Warranty Claim Requirements

To obtain warranty service, you must have your original sales receipt. Items returned without a sales receipt will assume that the warranty begins on the date of manufacture. All warranties will be void if the Weight Scale is damaged due to user abuse, overweight measurements, system alteration, modification, or used in any way not intended as described in this operating manual.

\* The specifications and design are subject to change without notice.