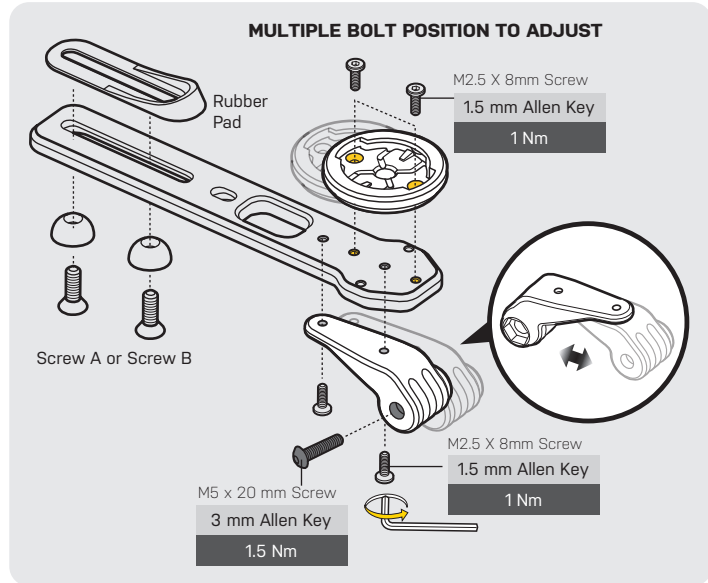
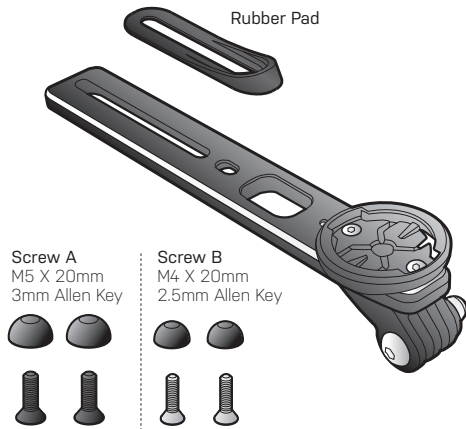




# COCKPIT CENTER MOUNT FOR INTEGRATED BARS

PREPARE TO RIDE

EN

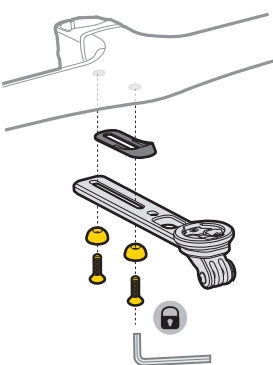


## INSTALLATION OF COCKPIT CENTER MOUNT

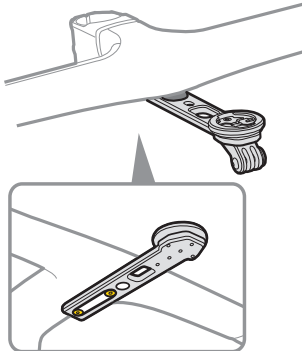
For Garmin® Edge / Wahoo® / Sigma® GPS cycle computers, Topeak CubiCubi front lights, WhiteLite™ HP 500, GoPro® series and other compatible action cameras.

\* Handlebar Compatibility: Shimano® Pro Stealth, FSA® Plasma, Ritchey® WCS SoloStream, SCOTT® SYNCROS® RR1.0 Carbon Aero 420 Bar/Stem and Most® Talon, Canyon H31, CP Series.

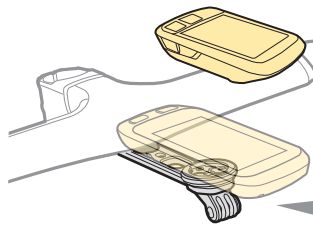
**1** Choose Screw A or B to install Cockpit Center Mount.



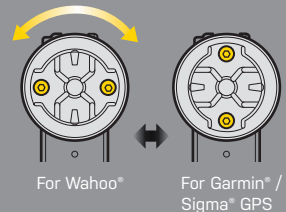
**2**



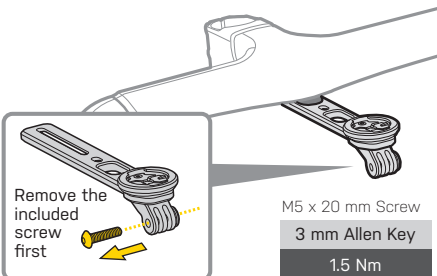
**3** Install device ( Garmin® Edge / Wahoo® / Sigma® GPS cycle computers ) with quarter-turn mounts.



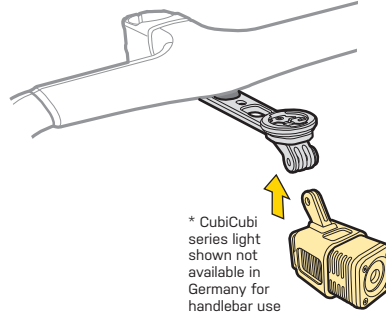
### ROTATION ADJUSTABLE



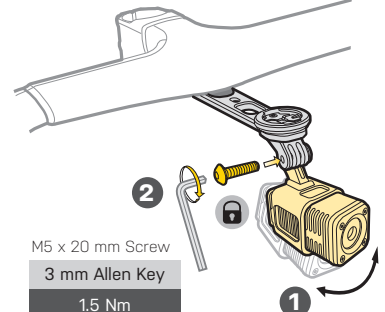
**4** Mount GoPro camera, and Topeak front light system.



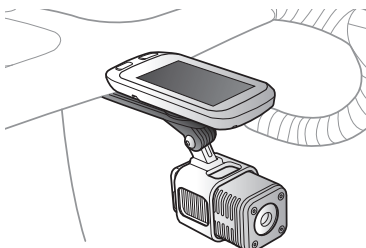
**5** Install Topeak CubiCubi front light on mount.



**6** Adjust for proper angle and tighten Screw with 3mm Allen Key.



**7**



## WARRANTY

2-year Warranty: All mechanical components against manufacturer defects only.

### Warranty Claim Requirements

To obtain warranty service, you must have your original sales receipt. Items returned without a sales receipt will assume that the warranty begins on the date of manufacture. All warranties will be void if the product is damaged due to user crash, abuse, system alteration, modification, or used in any way not intended as described in this manual. \* The specifications and design are subject to change without notice.

Please contact your Topeak dealer with any questions.

For USA customer service call: 1-800-250-3068 [www.topeak.com](http://www.topeak.com)

Garmin® Edge is a registered trademark of Garmin® Inc. GoPro® is a registered trademark of GoPro, Inc.

Wahoo® is a registered trademark of Wahoo Fitness. Garmin® is a registered trademark of Garmin Ltd.

Shimano® is a registered trademark of Shimano Inc. SRAM® is a registered trademark of SRAM Inc.

FSA® is a registered trademark of Full Speed Ahead Inc. Ritchey® is a registered trademark of Ritchey Design Inc.

Scott® and SYNCROS® are the registered trademarks of SCOTT Sports SA. Most® is a registered trademark of Cici Pinarello SRL.

Canyon® is a registered trademark of Canyon Bicycles GmbH. Sigma® is a registered trademark of SIGMA-ELEKTRO GmbH.